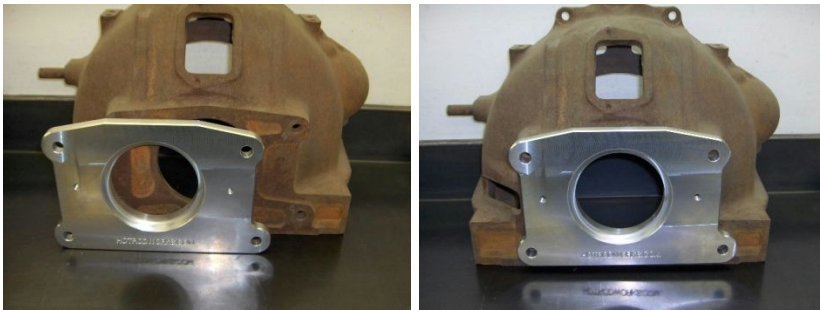


P/N 2150 Installation Instructions

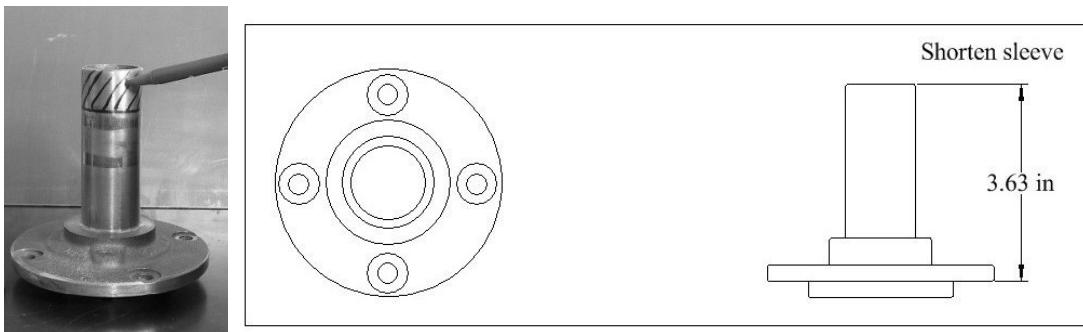
5 Speed Transmission Spacer Kit

Note: For use with Muncie/Saginaw style bell housings.

1. Use a 1982-1992 Chevrolet S10 or Blazer 2 wheel drive transmission.
2. Remove old transmission
3. Remove clutch disc.
4. Install new clutch disc.
 - 9.125" clutch, 1983-92 Chevrolet S10 2.8L, 1" 14 spline. (Sachs p/n BBD4203, not included).
 - 9.68" clutch, 1983-84 Camaro 2.8L 1" 14 spline (NAPA p/n ND4201, not included).
 - 11" clutch, 1985-89 Chevrolet Astro Van, 4.3L, 1" 14 spline. (Sachs p/n BBD4212, not included).



5. Install the spacer on the bell housing. The centering ring fits forward into the bell housing.
6. Remove the bearing retainer from the front of the S10 transmission and machine as follows:



- a. Shorten the sleeve to 3 5/8" from mounting surface.

7. Drill out the mounting holes on the transmission to 1/2" diameter.
8. Install the transmission. Install (4) 1/2"-13 x 2" bolts and lock washers in the mounting holes.
9. Be sure all attaching bolts are tight.

Kit Includes: Spacer plate, (4) 1/2 -13 x 2" cap screws, (4) 1/2" lock washers